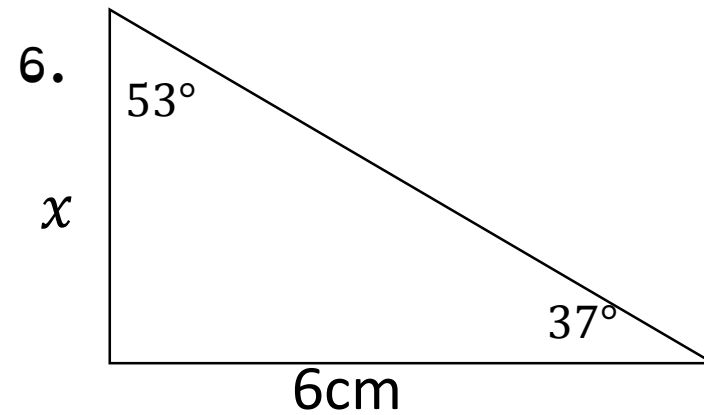
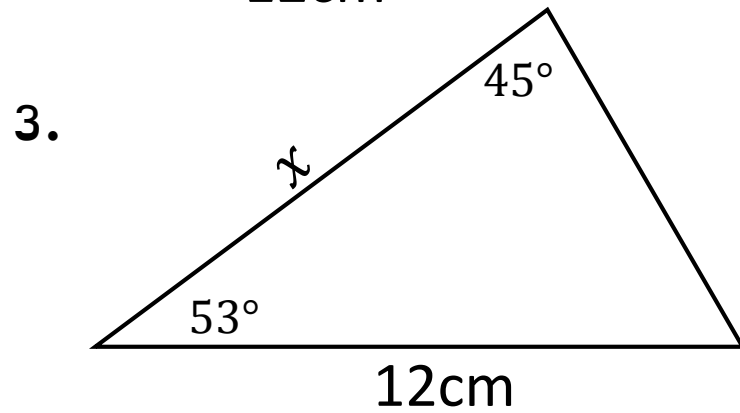
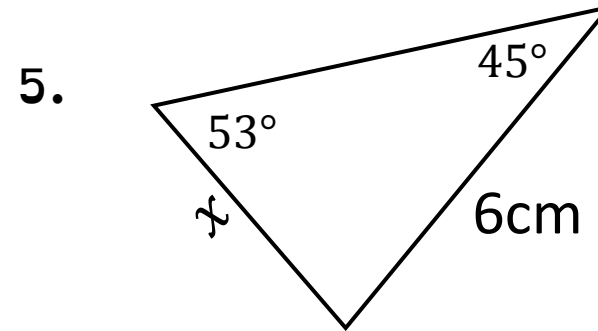
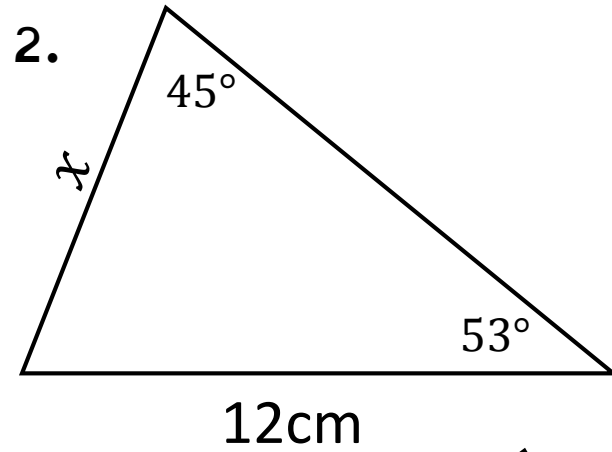
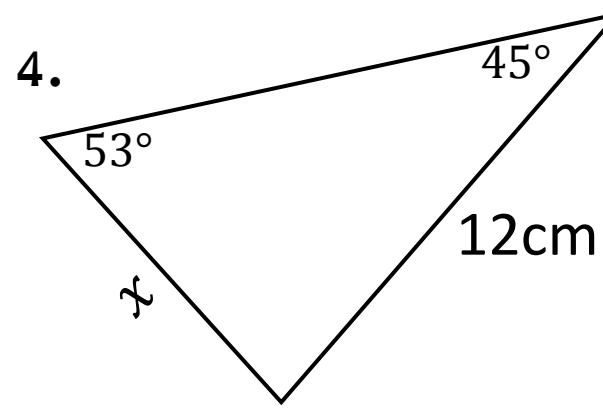
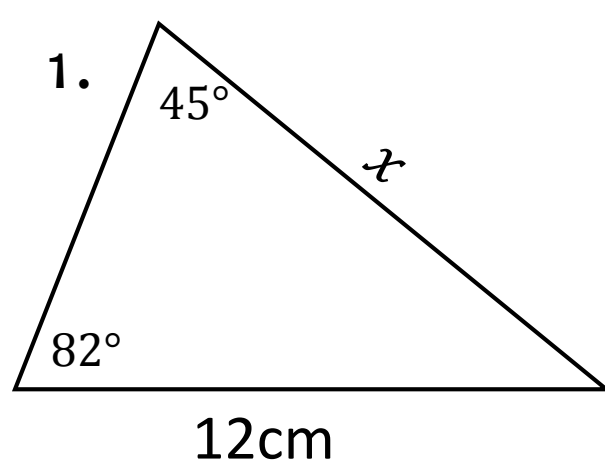
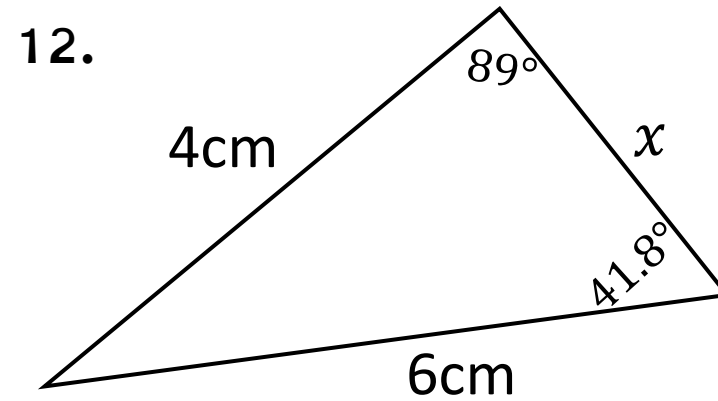
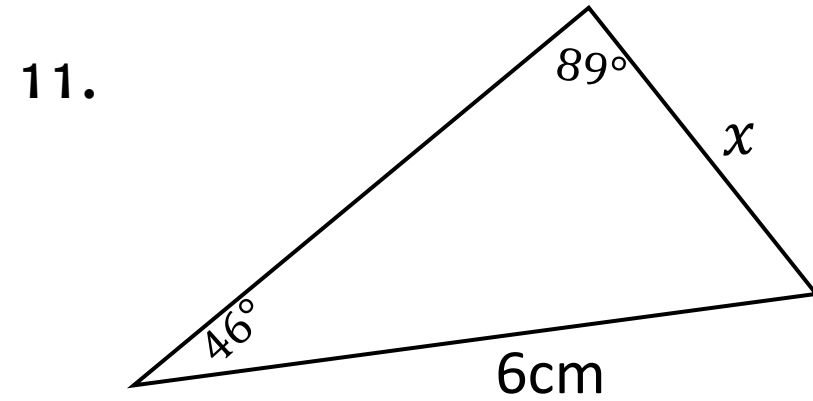
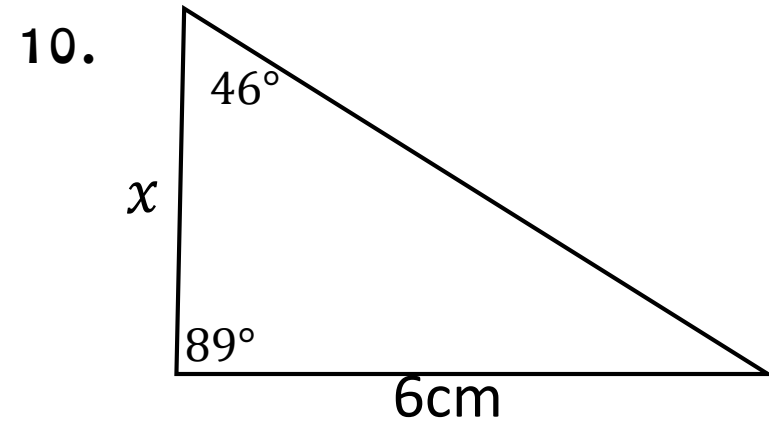
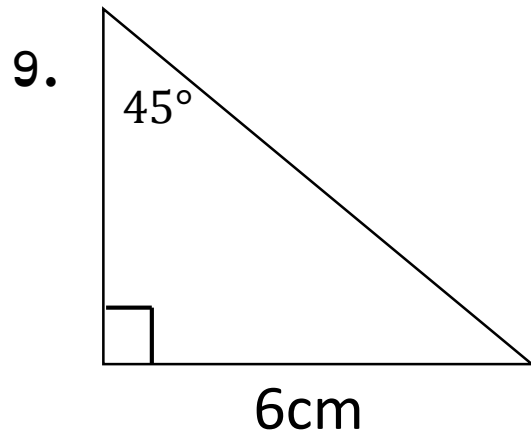
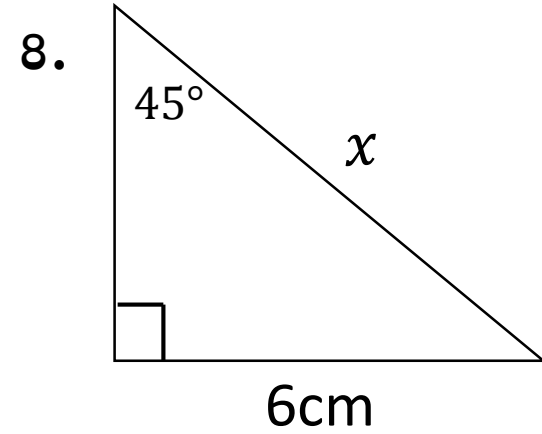
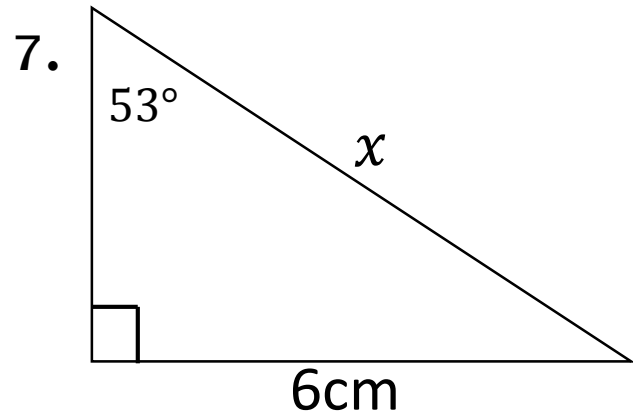


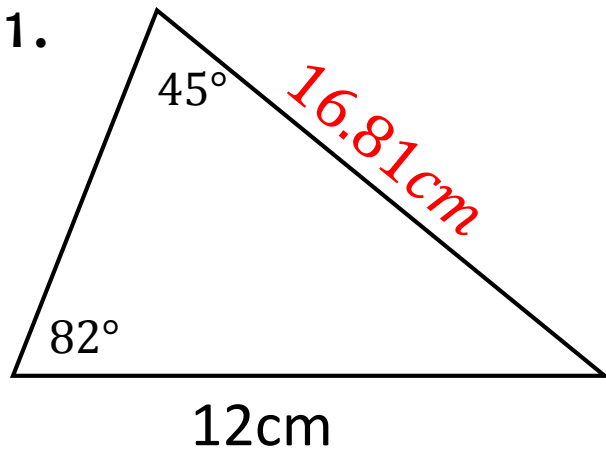
Sine
Rule:
Missing
Sides



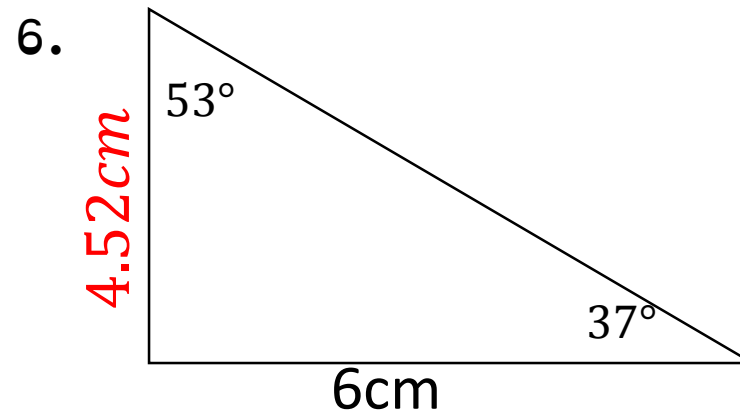
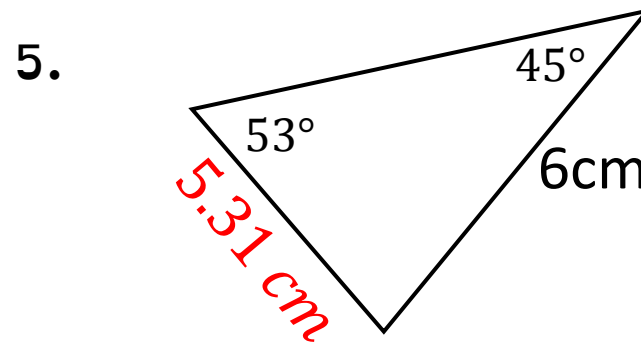
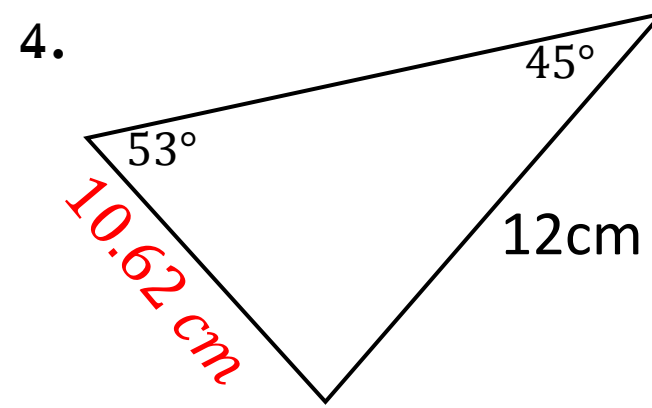
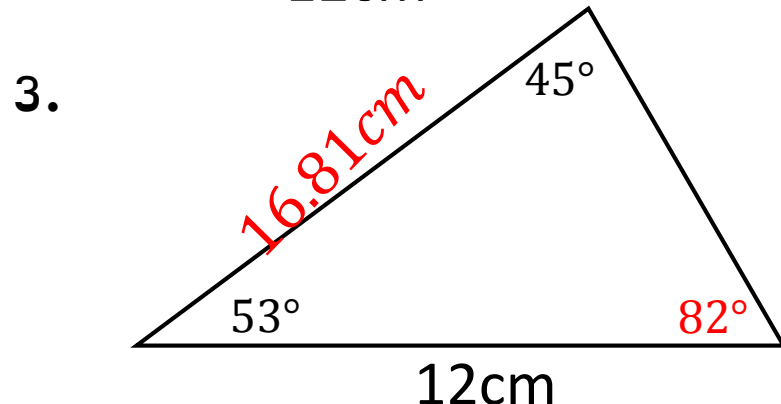
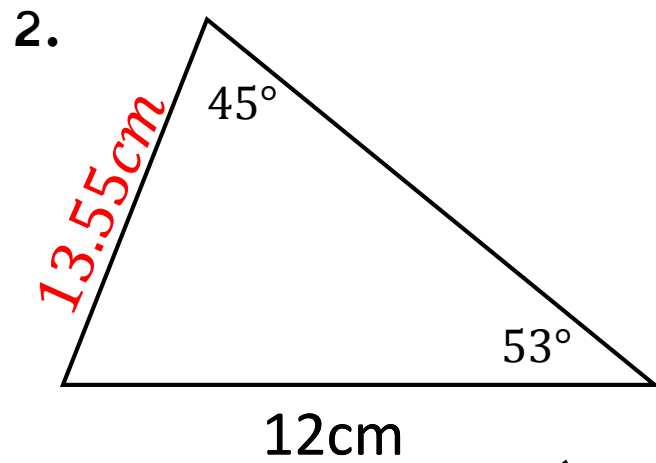
Sine
Rule:
Missing
Sides



Sine Rule: 1.
Missing
Sides



ANSWERS



Sine Rule:
Missing
Sides

ANSWERS

